

CURVED GLASS CANOPY

600mm

AAG6SE1



- Stainless Steel and curved glass
- 700m³/hr
- Ducted operation
- Re-circulating operation optional*
- 3 speed push button fan
- 1 x Aluminium filter
- 2 x Halogen lights

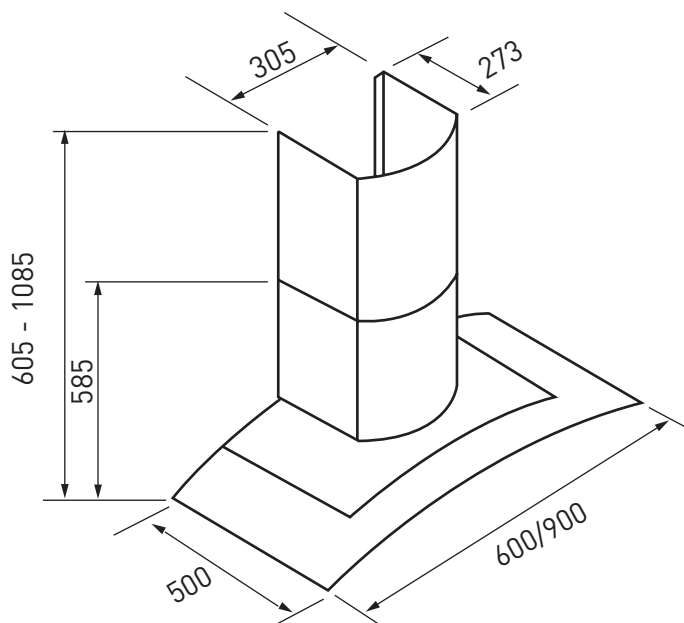
features

specifications

Airflow:	700m ³ /hr	*Recirculating Kit:	IA150GRK
Noise level:	53 dBA on maximum setting	Extension Flue:	IAGXSE1 (900mm)
Lighting:	2 x 20 watt halogen lamps	Carbon Filter:	CF110
Power:	220 -240 volt / 50Hz (fitted with 10amp, 3 pin plug)		
Power Cord:	1.5 metre cable		
Ducting Spigot size:	150mm		

dimensions

Product Dimensions 600mm (W) x605-1085mm (H) x 500mm (D)



warranty - customer service

Warranty

2 years Parts and Labour

Customer Service

Our Nationwide Service Team can be contacted on our Toll Free Customer Service Number 1800 805 300 or by logging on to <http://customersupport.hapl.com.au/>

 HOME APPLIANCES

20 Carlotta Street
 Artarmon NSW 2064
 T: 02 9958 3111
 F: 02 9958 3555
 E: info@hapl.com.au

www.hapl.com.au