

Induction Cooktops

CI6SE3 60cm Induction cooktop

Features

- 4 cooking zones with boosters
- Ceramic glass cooking surface
- Touch Controls with red display
- 9 power settings for each zone
- 99 minute timer
- Bevelled edges
- Child lock
- Overflow protection
- Residual heat indicators

Product dimension

590mm (w) x 520mm (d)

Cut out dimension

560mm (w) x 490mm (d)

Connected load

6500 watts



Induction Cooktops

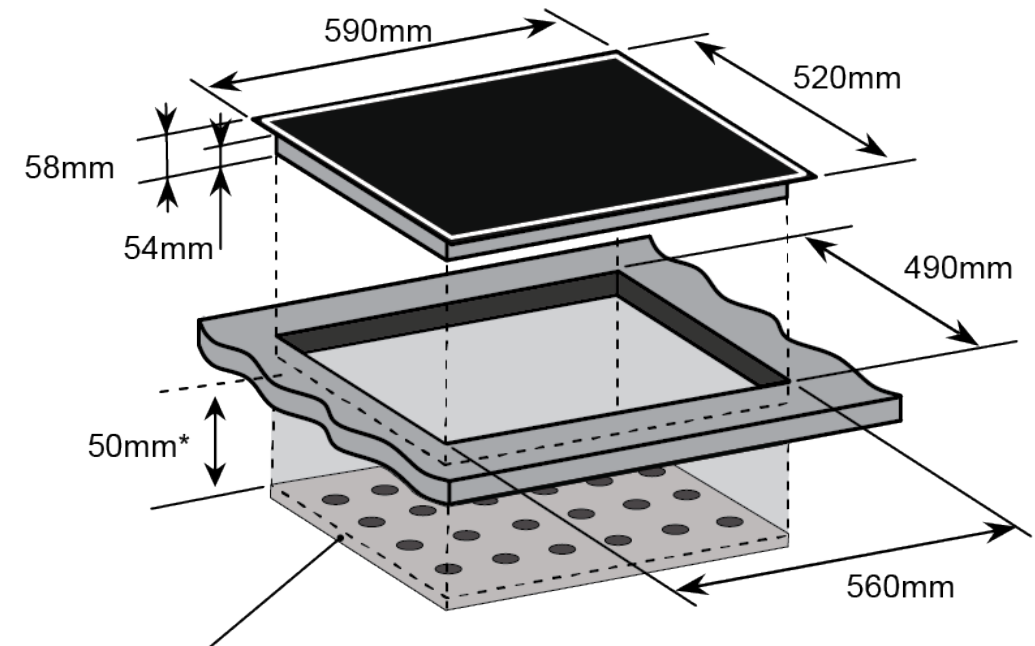
CI6SE3 60cm Induction cooktop

Installation - ventilation and clearances



In all circumstances, make sure the cooktop is well ventilated as they do generate a fair amount of heat during use. DO NOT install the cooktop if glass is cracked or any other damaged realised.

The safety distance between the cooktop and the cupboard above the cooktop should be at least 760mm. Any rangehood installed above the cooktop should be no less than 650mm above the surface of the cooktop.



* A thermal protection heat barrier **MUST BE** fitted 50mm from the base of the cooktop when access is possible via a cupboard or drawer. This thermal protection heat barrier should contain holes to improve ventilation as shown.

Important: Induction Cooktops may require additional ventilation, refer to manual.