

IOM75S stainless steel and black glass



- 8 multifunction: fan forced, grill, fan grill, half grill, conventional, bottom element, defrost & light
- 85 litre gross oven capacity
- Rapid heat up mode -180°C in 8.5 minutes
- Push knob function control
- Touch control digital timer
- Closed door grilling
- Cavity cooling fan
- Triple glazed fully removeable glass door



Accessories included

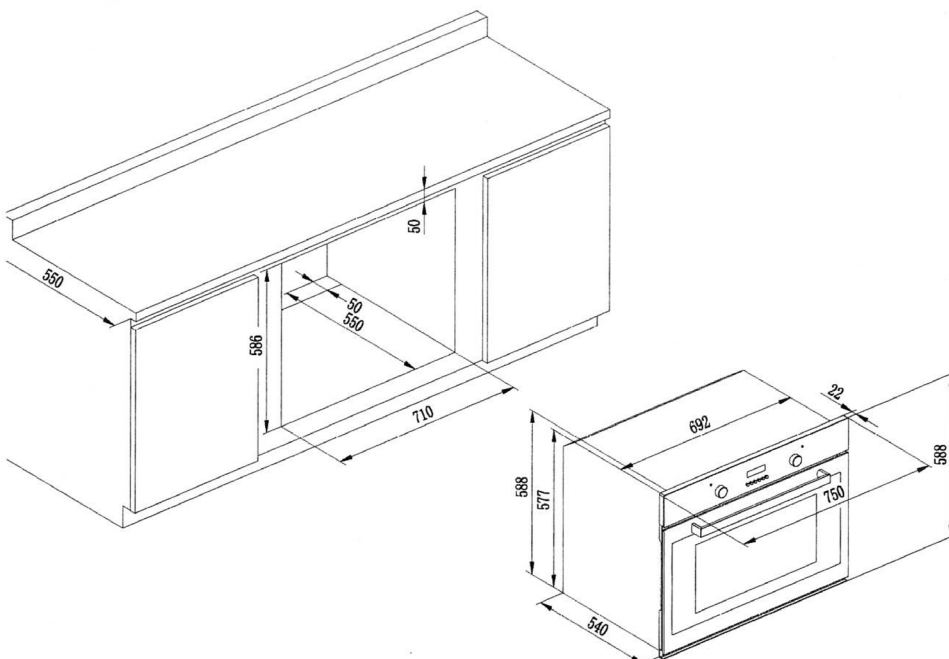
- 2 chrome oven shelves
- 2 universal baking pan
- 1 grill insert

- Total Power:** 3400 W
- Current:** 15.2 amp
- Oven light:** 15 W
- Power:** 220 - 240 volt/50Hz

Dimensions & Installation

Product Dimensions: 750mm (W) x 562mm (D) x 588mm (H)

Cutout Dimensions : 710mm (W) x 550mm (D) x 586mm (H)



Customer Service

Our Nationwide after sales team can be contacted on **1800 805 300** or our service team on **1800 444 357** or email service@hapl.com.au



T: 02 9958 3111
F: 02 9958 3555
E: info@hapl.com.au

www.iagappliances.com.au