

# PYROLYTIC OVEN

## 600mm

### IOP6SE1



- Pyrolytic Self Cleaning Technology
- 63 Litre gross Capacity
- 9 Cooking functions
- Sensor touch control
- LCD electronic display
- Digital clock with automatic cut off timer
- 1 x telescopic runner
- Four layered cool touch glazed door
- Speed Cook function - quick heating
- Memory Function- save most frequently used function
- Child Safety Device

features

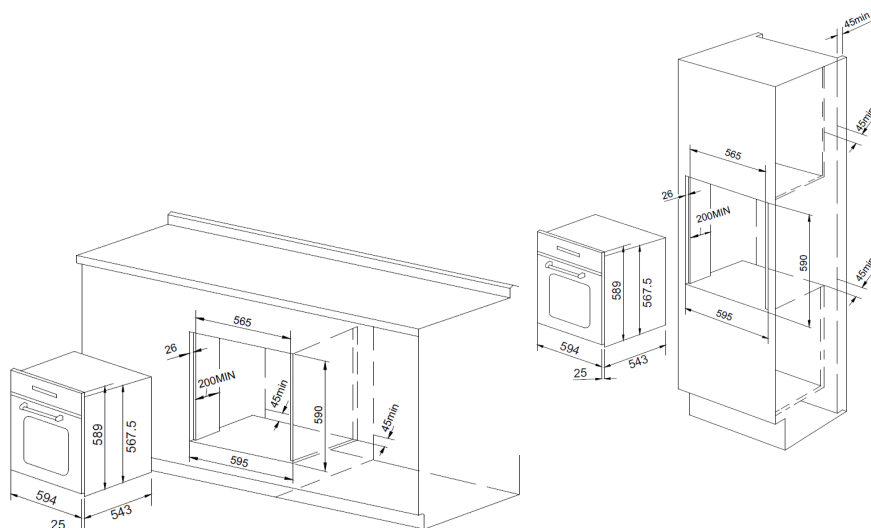
## specifications

<b>Colour:</b>	Stainless steel and black glass
<b>Capacity:</b>	63 litres gross
<b>Power:</b>	220 -240V- 50/60Hz
<b>Connected Load:</b>	3.42kW
<b>Direct Wired:</b>	14.25 amp

## dimensions

**Product Dimensions:** 594mm (W) x 543mm (D) x 589mm (H)

**Cut Out Dimensions:** 565mm (W) x 550mm (D) x 570mm (H)



warranty - customer service

### Warranty

2 years Parts and Labour

### Customer Service

Our Nationwide Service Team can be contacted on our Toll Free Customer Service Number 1800 805 300 or by logging on to <http://customersupport.hapl.com.au/>

**HOME APPLIANCES**

20 Carlotta Street  
 Artarmon NSW 2064  
 T: 02 9958 3111  
 F: 02 9958 3555  
 E: [info@hapl.com.au](mailto:info@hapl.com.au)

[www.iagappliances.com.au](http://www.iagappliances.com.au)