

OVEN

600mm

IOS6WE3 & IOS6SE3



White
IOS6WE3



Stainless Steel
IOS6SE3

- Fully programmable clock
- 5 Function oven
- Conventional oven with top heating and concealed bottom heating element
- Fan assisted with bottom or dual element selection
- Fan grill
- Tangential (external) cooling fan
- Ventilated oven door
- Locking oven shelves
- Touch proof external finish

features

specifications

Functions:



Bottom element cooking



Conventional cooking



Fan assisted cooking



Bottom element with fan cooking



Fan assisted grilling



Oven light

Total Load: 2082W

Power: ??

dimensions

Dimensions: 595mm (H) x 595mm (W) x 542mm (D)

Cutout Dimensions: 589mm (H) x 560mm (W) x 550mm (D)

warranty - customer service

Warranty

2 years Parts and Labour

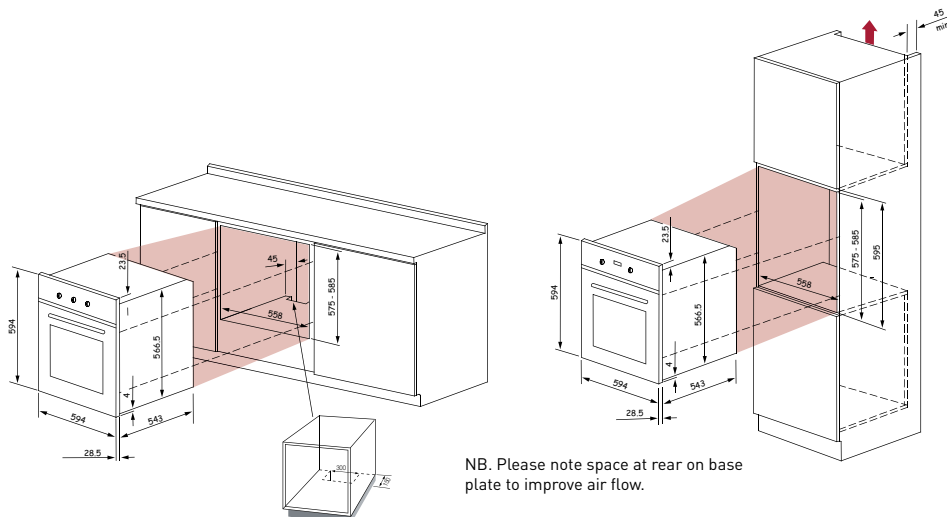
Customer Service

Our Nationwide Service Team can be contacted on our Toll Free Customer Service Number 1800 805 300 or by logging on to <http://customersupport.hapl.com.au/>

HOME APPLIANCES

20 Carlotta Street
Artarmon NSW 2064
T: 02 9958 3111
F: 02 9958 3555
E: info@hapl.com.au

www.hapl.com.au



NB. Please note space at rear on base plate to improve air flow.