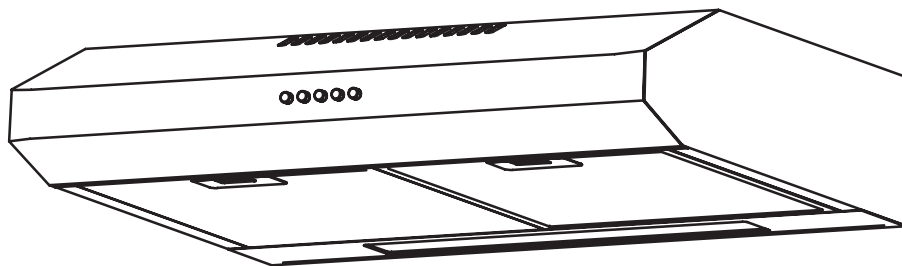


HOME APPLIANCES

Cooker Hood

Model RSR6



Instruction Book



Information and advice

CAUTION: Accessible parts may become hot when used with cooking appliances.

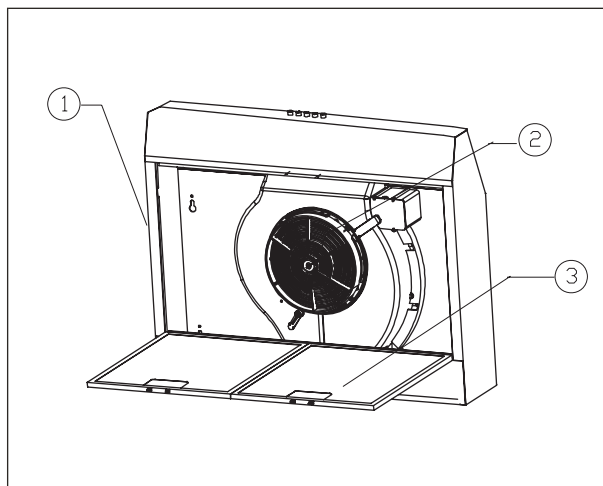
- In certain circumstances electrical appliance may be a danger hazard.
- A) There must be adequate ventilation of the room when the cooker hood is used at the same time as appliances burning gas or other fuels.
 - B) Do not check the status of the filters while the cooker hood is operating.
 - C) Do not touch the light bulb within half an hour after appliance has been used.
 - D) Do not light a flame under the cooker hood.
 - E) Avoid opening gasometer when there is no pan on the stove , as it is damaging for the filters and a fire hazard
 - F) Constantly check food frying to avoid overheated oil splashing and becoming a fire hazard.
 - G) Disconnect the electrical plug prior to any maintenance.
 - H) Regulations concerning the discharge of air have to be fulfilled.
 - I) When the range hood and appliances supplied with energy Other than electricity are simultaneously in operation.
The negative pressure in the room must not exceed 4 Pa (4×10^{-5} bar)
 - J) This appliance is not intended for use by persons (including children) with reduced physical, sensory or mental capabilities, or lack of experience and knowledge, unless they have been given supervision or instruction concerning use of the appliance by a person responsible for their safety.
 - K) Children should be supervised to ensure that they do not play with the Appliance.
 - L) If the supply cord is damaged, it must be replaced by the manufacturer, its service agent or similarly qualified persons in order to avoid a hazard

Attention ! Observe the warning in the instruction sheet concerning the operation of the appliance when air is discharged from the room



Know your cooker hood

Please read these instructions before using your cooker hood



- 1. main body
- 2. Motor housing assembly
- 3. Metal filter (metal grill with grease filter optional)

Also included:

*Damper

*Drill hole stencil

*User instructions

i

Information

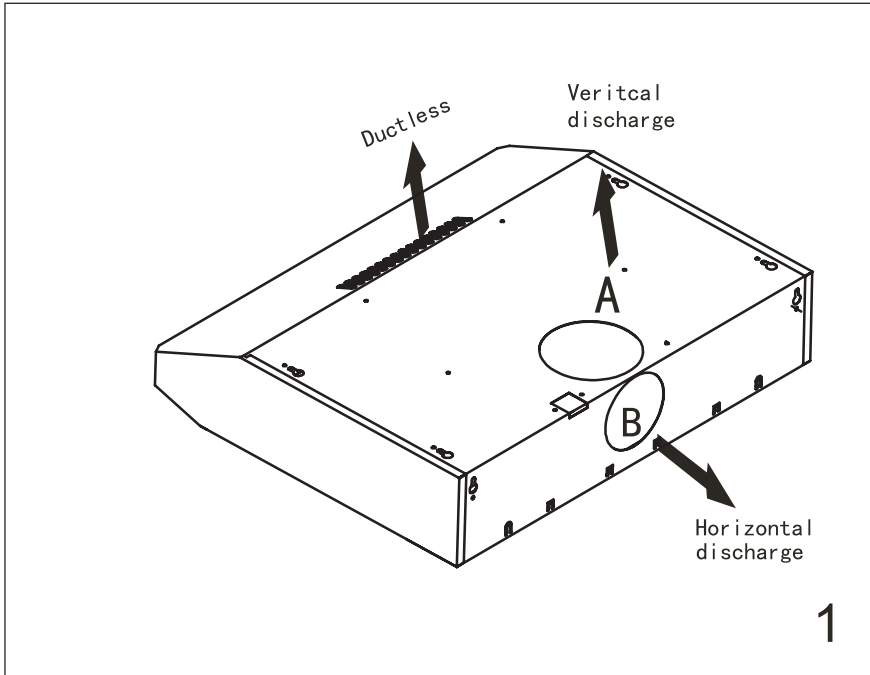
Congratulations on the purchase of our Cooker hood, which is designed to include many superior features that permit you the fullest expression of your living. Before installing and/or using the cooker hood carefully read all the instructions.





Selection of Venting Direction

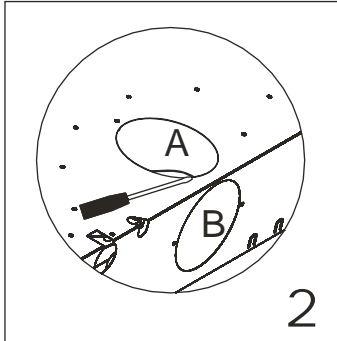
Fully convertible for vertical, horizontal or ductless operation.



1

Information

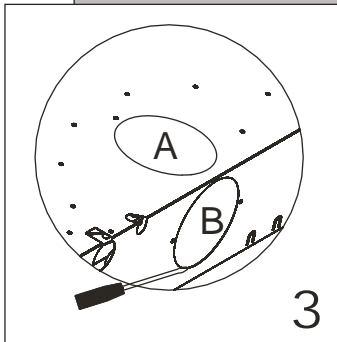
The air must not be discharged into a fuel that is used for exhausting fumes from appliances burning gas or other fuels. Regulations concerning the discharge of air have to be fulfilled.



Vertical discharge

Vertical is the most common.

If you select this venting direction, you only need to open the ducting knockout A. Remove the ducting knockout by inserting a Flat head screwdriver under one end and prying it up. Then snip or break the attachment points by tin snips. You must make sure that the ducting knockout B is not removed.



Horizontal discharge

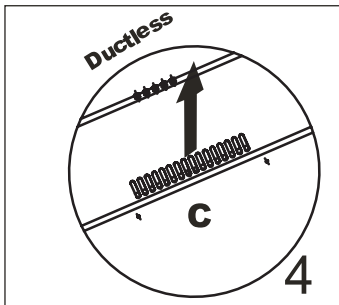
Assuming that the range hood is located against an outside wall, horizontal discharge is preferred provided that there are no obstructions such as, wall joints, or where openings are difficult to make.

If you select this venting direction, you only need to open the ducting knockout B. Same with removing the ducting knockout A, you must make sure that the ducting knockout A is not removed.



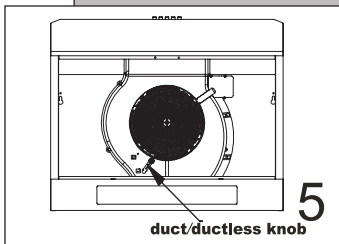
Information

Sufficient air is needed for proper combustion and exhausting of gases through the ~~ful~~ (chimney) of fuel burning equipment to prevent back drafting.

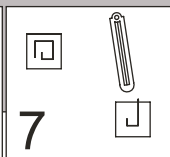
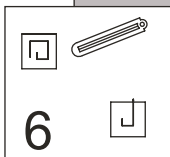


Ductless

In a ductless installation the air is re-circulated back into the kitchen. If you do not anticipate heavy cooking this method will be preferred. You can ignore opening A and B, you only need to choose venting C. You should use charcoal filter to help remove cooking odors. Charcoal filter must be washed and replaced at regular intervals.



After selecting venting direction and completing installation, you can turn the knob to achieve ductless or duct. Open the filter, then you can see the knob.



The knob arrowhead as per FIG. 7, then it is duct.
The knob arrowhead as per FIG. 6, then it is ductless.



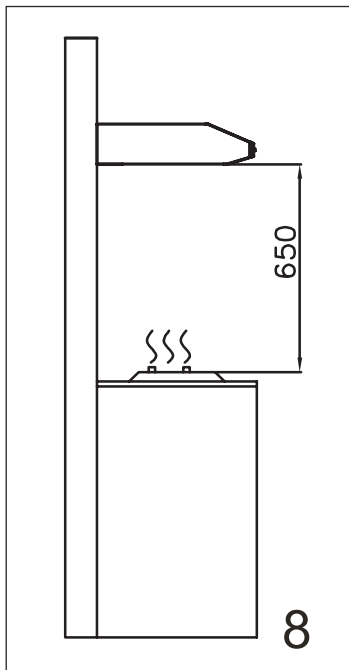
Information

Ductless fans must always be vented to the outdoors.



Installation

Ensure the power has been turned off before beginning this installation.



To install this hood you will require two assistants.

You will need the following tools and material to complete this installation:

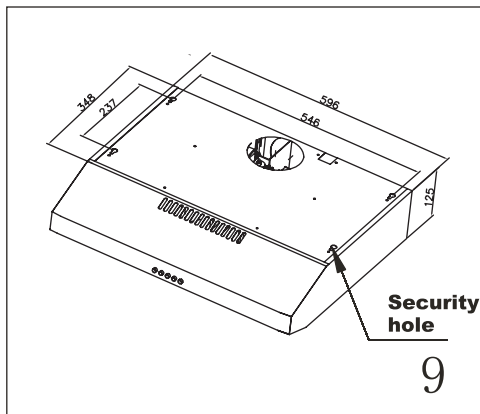
*Drill *Flat head screwdriver *Phillips head screwdriver or cordless drill and Phillips head bit *Tin snips *3/8" nut driver or ratchet with extension *measuring tape *hand saw or jig saw *electrical tape *duct tape

1. Remove the range hood from the carton.
2. Lay the hood upside down on a table covered with cardboard or paper to prevent scratching of the table or hood.
3. Hood installation should be within 0.8m radius range.
4. We recommend that after installation the bottom of the hood should be no less than 650mm and no more than 750mm above the stove's heating elements and burners.



Information

Installation work and electrical wiring must be done by qualified person(s) in accordance with all applicable codes and standards, including fire-rated construction.



1. According to the figure, make sure the position of hood in the cabinet. The wood strips should be lined up with the 4 keyholes slots on the top of the range hood. On the cabinet, install 4 screws (supplied) according to the relative position of 4 key holes on the bottom of hood. The extent of screwing should be convenience to the next installation.

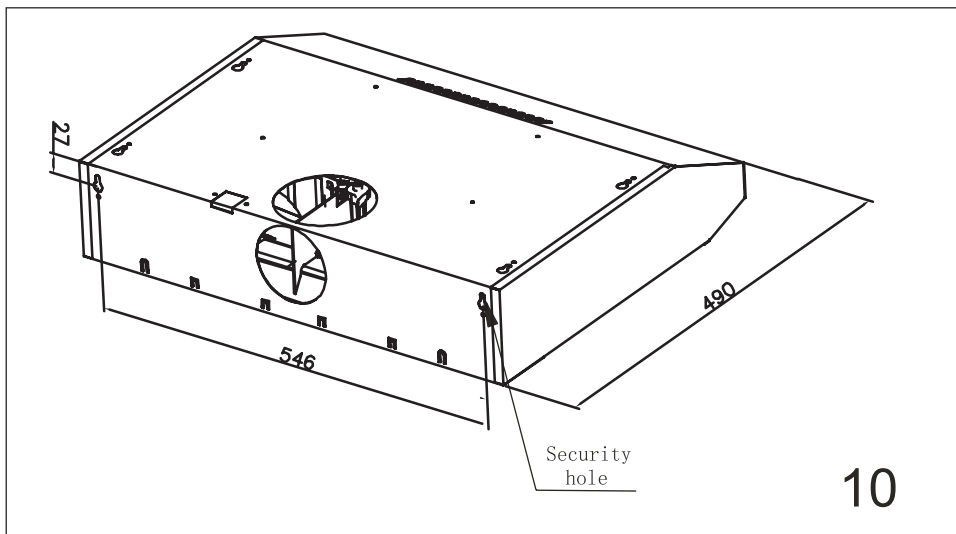
2. Hang the hood and let its 4 key holes aim at screws, the 4 screws should be in the narrow parts of key holes. Screws should be fasten firmly, make sure that the installation between the hood and cabinet is fastened enough.

3. Install screws in the security holes, in case the front and back of hood moves, so that the user is safe.



Information

When cutting or drilling into wall or ceiling, do not damage electrical wiring or other hidden utilities.



Information

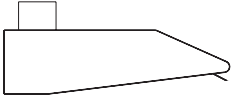
The cooker hood must not be installed and connected to fuels where other appliances are installed and which run off other energy supplied different to electricity (water heaters boiler cookers (range/agas) etc.).

If the installation surface in cabinet don't adapt to install the cooker hood, then as per FIG. 5, fix the position of cooker hood on the wall. On the wall, install 2 screws (supplied) according to the relative position of 2 key holes on the back of hood. The extent of screwing should be convenience to the next installation. Also install screws in the security holes, in case of front and back of hood moves, so that the user is safe.

Hood Using Method



Turn the hood ON when cooking at high heat or when cooking flaming foods.



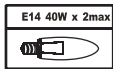
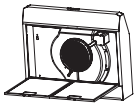
11

1. Adjust the duct/ductless knob to be in the right position.
2. Insert the power plug firmly.



12

- “0” turn the unit to stop running.
- “1” turn the unit on low speed.
- “2” turn the unit on mid speed.
- “3” turn the unit on high speed.
- ☼ Light on/off knob key: turn the light on and off.



13

Replacing Bulb: Removing the bulb that need to be replaced, then reinstall the new bulb. The power of bulb must not be more than 40W .



Information

Clean ventilating fans frequently. Grease should not be allowed to accumulate on fan or filter.





Cleaning Instructions

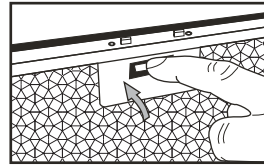
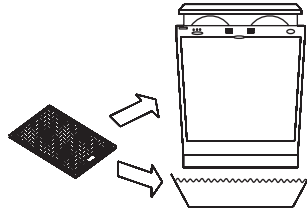
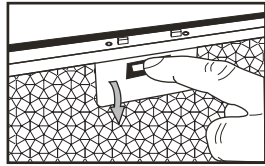
Disconnect range hood from power supply before cleaning or servicing.

1. Cleaning the surface of hood frequently . Use mild soap or detergent to clean the hood.
2. Do not use harsh alkalis or abrasives.
3. Avoid the use of scouring powders or dishwasher compounds.
4. Grease filter may be washed using mild soap or detergent. (heavy grease build-up may not be cleaned easily and the filter may require replacement)
5. The charcoal filter captures the grease particles in the air , and is therefore subjected to clogging according to the frequency of the use of appliances.It is also neither washable nor re-useable and must be replaced regularly.



Information

When cleaning, water must not enter into motor control switch etc. electrical parts.



14

- It is recommendable to clean the metallic filter every three months by carrying out the following instructions:
 - Remove the metallic filter from the cooker hood and wash it in a solution of water and neutral liquid detergent, leaving to soak
 - Rinse thoroughly with warm water and leave to dry.
 - The metallic filter may also be washed in the dishwasher.The metallic filter may alter in colour after several washes. This is not cause for customer complaint nor replacement of metallic filter.



Information

There is a fire risk if cleaning is not carried out in accordance with the instructions.

The manufacturer shall decline all responsibility if the foregoing recommendations and instruction regarding installation, maintenance and use are not observed and respected when using the cooker hood.

