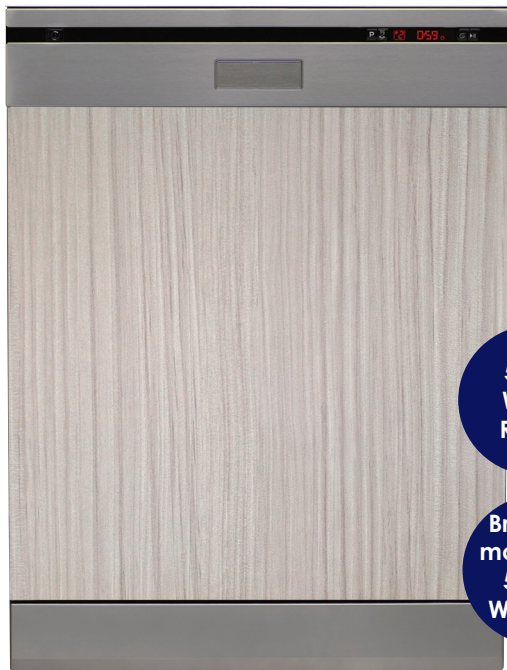


SEMI INTEGRATED DISHWASHER

600mm

SI14BM



5 Star
Water
Rating

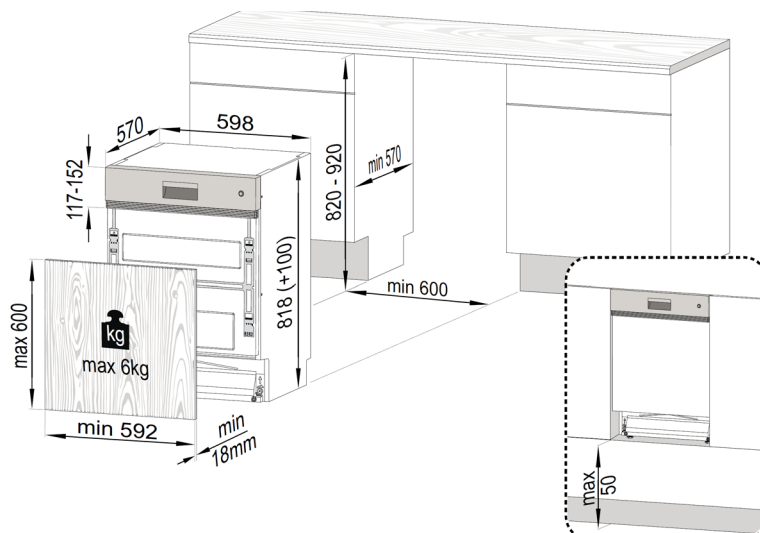
Brushless
motor with
5 Year
Warranty

- Semi integrated dishwasher (kitchen cabinet manufacturer to supply bottom panel to suit kitchen cupboards)
- 14 place settings
- 8 wash programs: *Prewash, 30min, eco 45°C, quick 60°C, intensive 70°C, hygiene 70°C, mix wash 70°C, Auto 45-65°C*
- Fast 30 minute wash option
- Slide out cutlery basket
- Electronic push button controls
- Slim style control panels
- Delay start - up to 9.5hr in 30 minute increment:
- Fully loaded adjustable top basket
- ½ load option
- Active ventilation drying system
- Aquasafe & overflow safety
- Rinse aid indicator
- Tablet function
- Brushless motor with 5 Year warranty
- Made in Europe

Total Power:	1900 - 2200 watts
Heating Element:	1800watts
Amps:	10amps
Power:	220 - 240 volt/50Hz
Water Rating:	5 star
Energy Rating:	3 star
Noise level:	43dBA

Dimensions & Installation

Product Dimensions: 598mm (W) x 570mm (D) x 818mm (H)



Customer Service

Our Nationwide Service Team can be contacted on **1800 805 300** or by logging on to customersupport.hapl.com.au

 **HOME APPLIANCES**

T: 02 9958 3111

F: 02 9958 3555

E: info@hapl.com.au

www.hapl.com.au