

DELUXE INSET SINK

1 & 1/4 Bowl

SKT11



- Deluxe handmade inset sink
- Satin finish
- Sleek modern design with flat drainer
- 10mm Radius corners for ease of cleaning
- Designer Plug and Wastes
- Deep 200mm bowl
- 32 & 14 Litre Capacity
- Complete with Colander & Cutting Board

features

specifications

- 32 & 14 Litre Capacity bowl
- 18/10 Brushed Satin
- 304 Grade Stainless Steel
- 1.2mm thickness
- 10mm Radius corners
- Designer Plug and Wastes
- Fits 700mm cabinet
- Deep 200mm bowl

Accessories Included



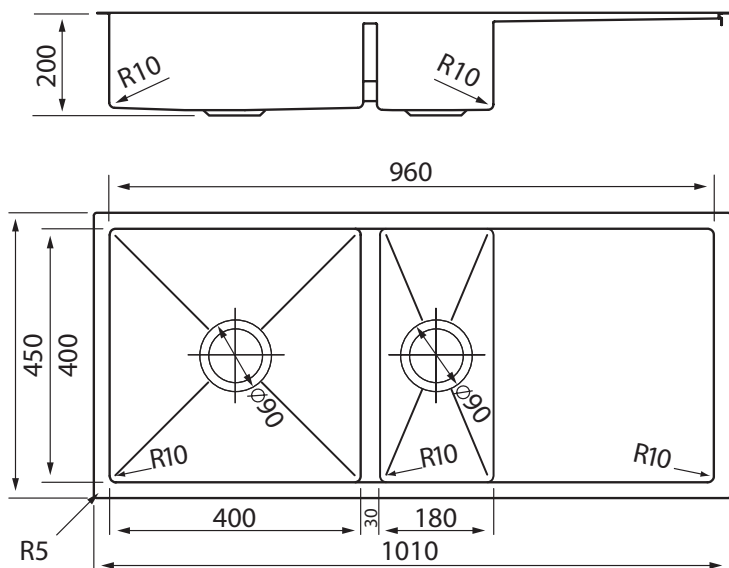
Cutting board



Colander

dimensions

Product Dimensions: 1010mm (L) x 450mm (B) 200mm (D)



warranty - customer service

Warranty

2 years Parts and Labour

Customer Service

Our Nationwide Service Team can be contacted on our Toll Free Customer Service Number 1800 805 300 or by logging on to <http://customersupport.hapl.com.au/>

HOME APPLIANCES

20 Carlotta Street
Artarmon NSW 2064
T: 02 9958 3111
F: 02 9958 3555
E: info@hapl.com.au
W: hapl.com.au